

Z-W56B

RECHARGEABLE MINI BEACON WITH MAGNETIC BASE

- ◆ Super mini size, with magnetic base which can be easily and quickly mounted or removed.
- ◆ 100% cable free solution - rechargeable battery, about 2 hours charge time and 7 hours run time.
- ◆ With charge/discharge indicator light on top to show the battery status.
- ◆ Can be easily change patterns by the switch button on the top of the lamp.
- ◆ 7 selectable flash patterns including SOS and cruise.



PRODUCT INFORMATION

| Product Code | Power Consumption | Current / Voltage | SMD | LED Q'TY | Color temperature | Compliance | LED color |
|--------------|-------------------|-------------------|------|---------------------------|-------------------|------------|-----------|
| Z-W56B | 4.7W | 0.75A @ 24V | 2835 | 28pcs amber 4pcs white | 590-595nm | EMC: R10 | ● |

CHARGING PARAMETERS

Overcharge, over discharge, over temperature protection

| Charging interface | Electric core | Capacity | Charging voltage | Charging current | Charging time | Discharging time |
|--------------------|-------------------------------------|------------------|------------------|------------------|---------------|------------------|
| TYPE-C | Single section 18650 lithium ion | 3.7-4.2V/2200mAh | 5V | 1000mA | 2H | 7H |

Function

4 levels power indicator
Power status:

| |
|------|
| 100% |
| 75% |
| 50% |
| 25% |
| 0% |

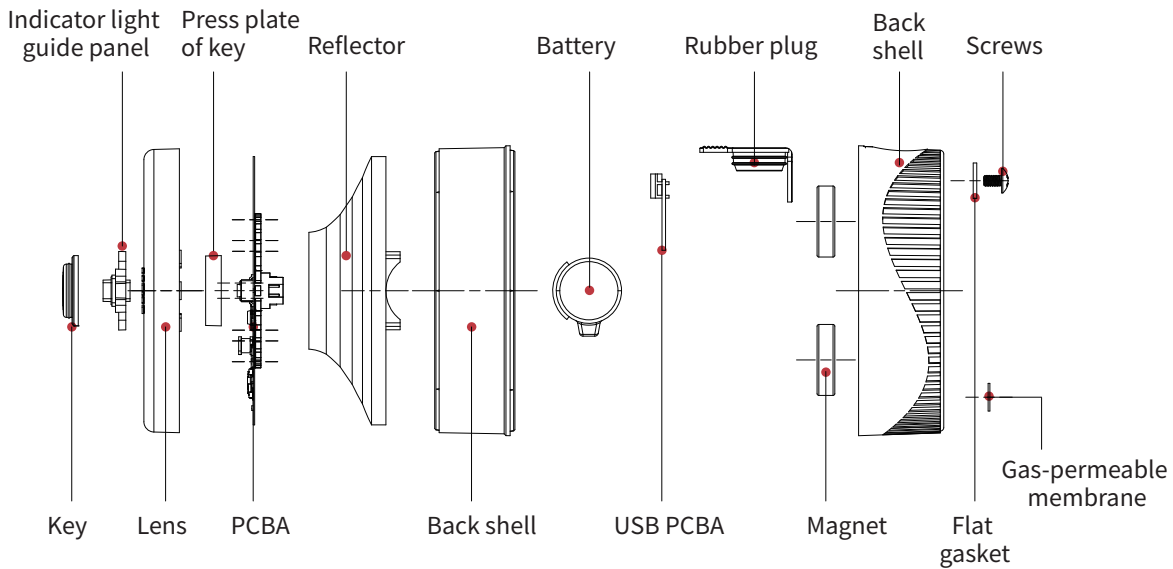
ON/OFF and modes button:
1. Short press to mode switch or power on
2. Long press to power Off

TYPE-C charging Port

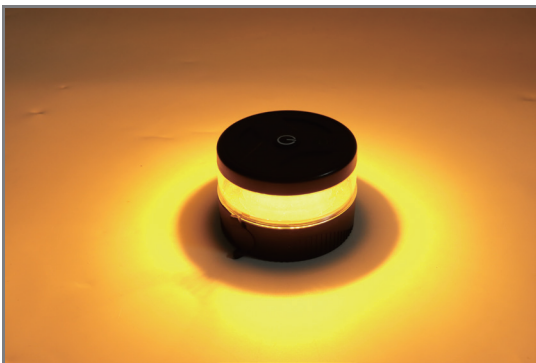
[mm]

Note:
power indicator indicates current power after power on, and will turn off automatically after about around 40 seconds.
If you need to re-light it to check power, please long press On/off button to power on again.

THE EXPLOSION FIGURE

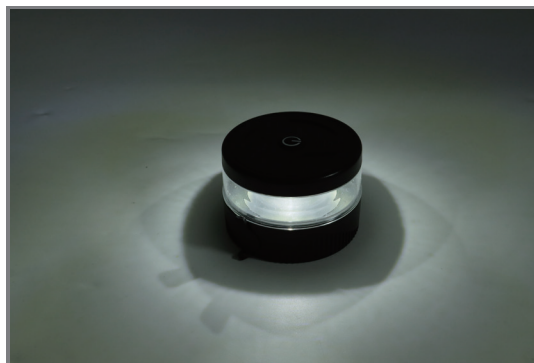


7 MODES



3 modes flash

- ① A single flash
- ② Double flash
- ③ Triple flash



4 modes rotation

- ① Slow anticlockwise rotation (480ms)
- ② Slow clockwise rotation (480ms)
- ③ Quick anticlockwise rotation (300ms)
- ④ Quick clockwise rotation (300ms)

INSTALLATION



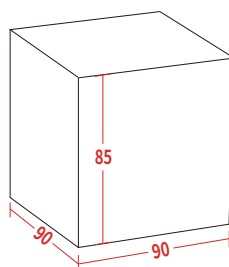
Applications



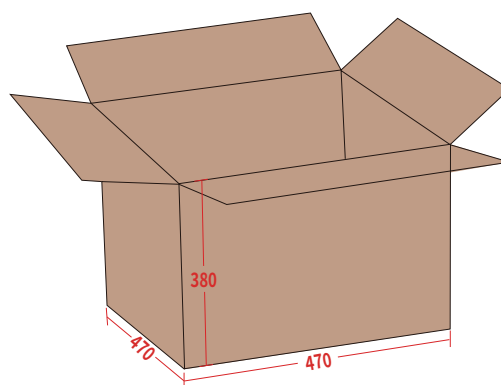
PRODUCT PACKAGING

Z-W56B

- White box Size: 90*90*85mm
- Master Carton Size: 470*470*380mm
- Net Weight of Each Lamp: 0.168 KG
- Gross Weight per Carton: 16.8 KG
- Quantity of Each Carton: 100 pcs



White box



Outer box