

# Z-W13 SERIES UPGRADE BIG SIZE LED BEACON

- ◆ An integrated light sensor enables switching between day and night mode.
- ◆ Aluminum base for much better heat-dissipation , against vibrations and shocks .
- ◆ Different from regular size , this Big size for a wide application , emergency ,mining ,construction etc..

## ECE R65 CLASS 2 LIGHT SENSATION BEACON



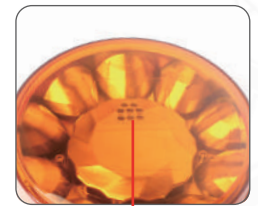
Magnetic+Base Mount  
Z-W13M



Permanent+Base Mount  
Z-W13S



Pipe Mount  
Z-W13P



Photodiode can be switched to by day mode under direct sunlight or bright outdoor conditions.

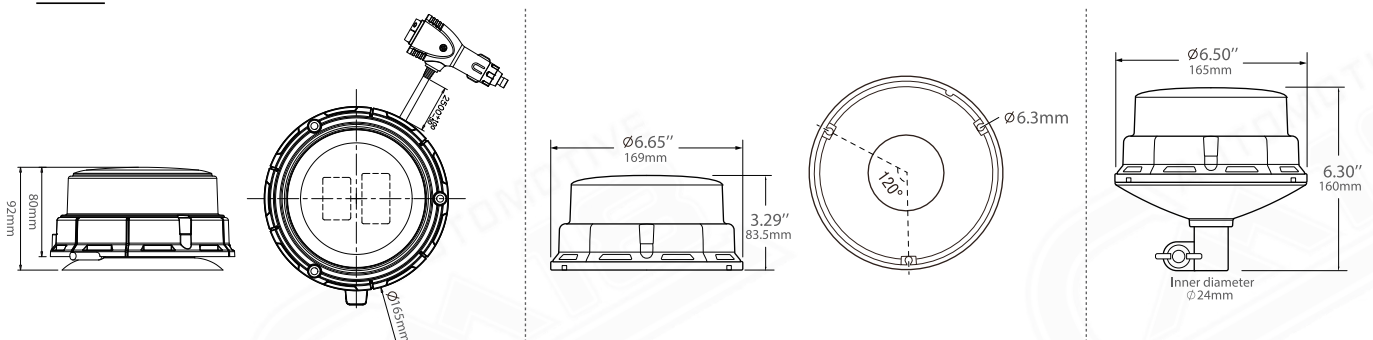
When the light intensity is about 3000lux and the distance is about 5cm, the photodiode switches the working mode.



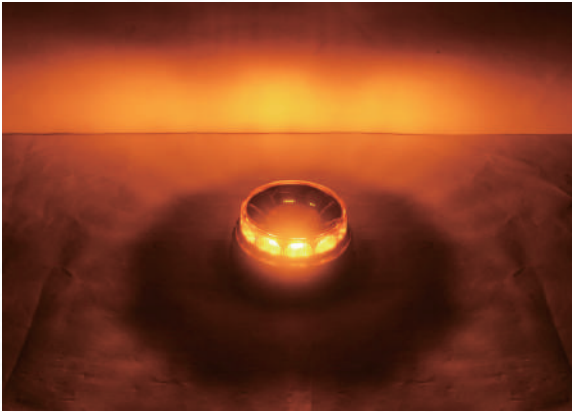
## PRODUCT INFORMATION

| Product Code | Power Consumption | Current / Voltage | SMD  | LED Q'TY | Color temperature | Compliance                        | LED color |
|--------------|-------------------|-------------------|------|----------|-------------------|-----------------------------------|-----------|
| Z-W13M       | 70W               | 2.92A @ 24V       | 3535 | 20pcs    | 590-595nm         | SAE J845   CISPR 25   ECE R65 R10 | ● ● ●     |
| Z-W13S       | 70W               | 2.92A @ 24V       | 3535 | 20pcs    | 590-595nm         | SAE J845   CISPR 25   ECE R65 R10 | ● ● ●     |
| Z-W13P       | 70W               | 2.92A @ 24V       | 3535 | 20pcs    | 590-595nm         | SAE J845   CISPR 25   ECE R65 R10 | ● ● ●     |

## Size:



## 7 MODES



### 5 modes flash

- Single flash
- Quick single flash
- Double flash
- Triple flash
- Four flash

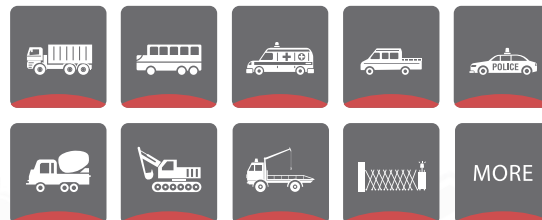
### 2 modes rotation

- Slow clockwise rotation (480ms)
- Quick clockwise rotation (300ms)

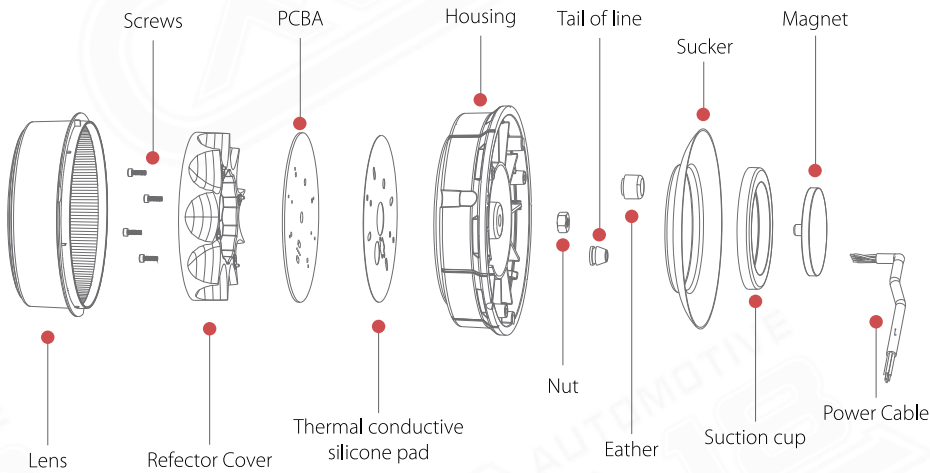
## INSTALLATION



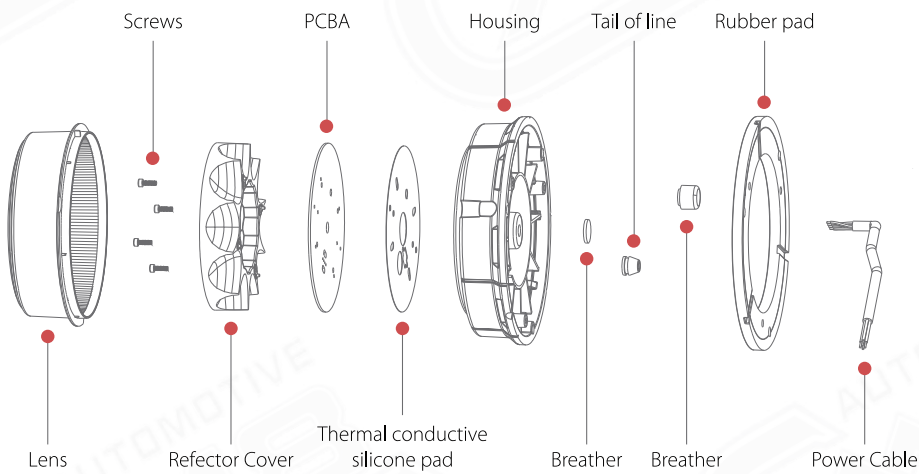
### Applications



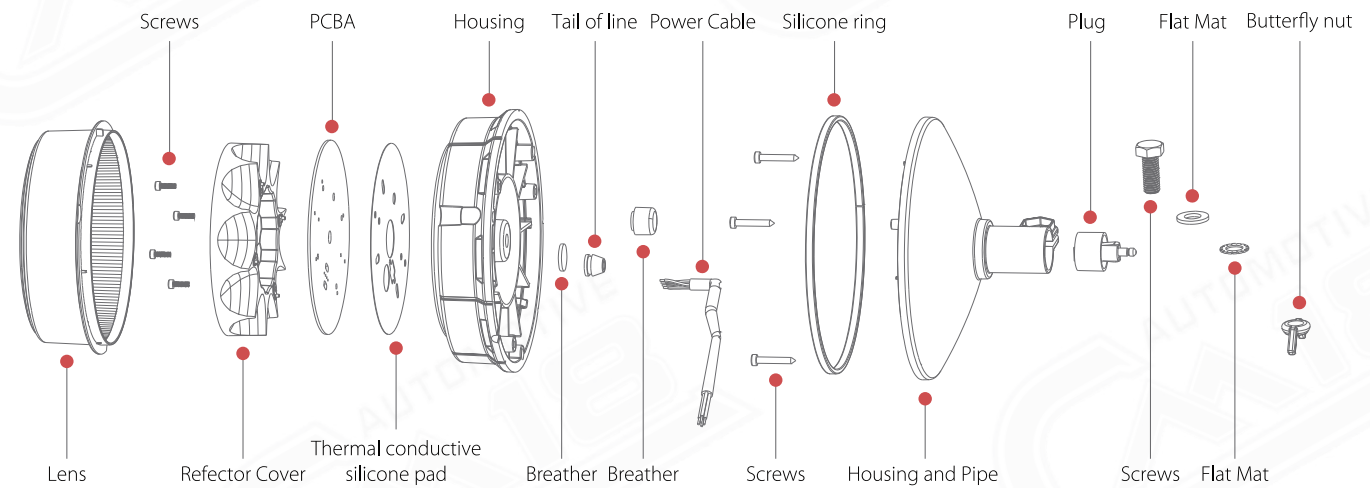
### THE EXPLOSION FIGURE --- Z-W13M



### THE EXPLOSION FIGURE --- Z-W13S



### THE EXPLOSION FIGURE --- Z-W13P



## CONNECTION MODE

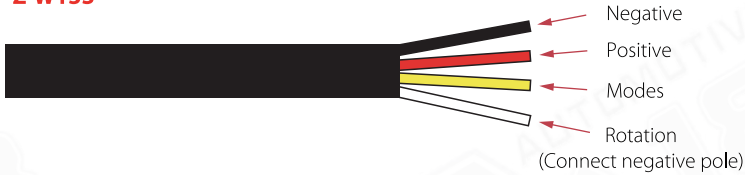
### Z-W13S



#### Drawing No. : Z-W13M

Cable Size: 3x0.75x3500mm

### Z-W13S



#### Drawing No. : Z-W13S

Cable Size: 4x0.75x500mm

### Z-W13P



#### Drawing No. : Z-W13P

## PRODUCT PACKAGING

|  |  |   |
|--|--|---|
| <p>White box</p>   | <p>White box</p>   | <p>White box</p>  |
| <p>Outer box</p>   | <p>Outer box</p>   | <p>Outer box</p>  |
| <div style="border: 1px solid black; padding: 5px; width: fit-content; margin: 0 auto;"><b>Z-W13M</b></div> <ul style="list-style-type: none"> <li>• White box Size: 172*172*145 mm</li> <li>• Master Carton Size: 365*365*455 mm</li> <li>• Net Weight of Each Lamp: 1.1 KG</li> <li>• Gross Weight per Carton: 15 KG</li> <li>• Quantity of Each Carton: 12 pcs</li> </ul> | <div style="border: 1px solid black; padding: 5px; width: fit-content; margin: 0 auto;"><b>Z-W13S</b></div> <ul style="list-style-type: none"> <li>• White box Size: 175*175*115 mm</li> <li>• Master Carton Size: 370*370*365 mm</li> <li>• Net Weight of Each Lamp: 0.9 KG</li> <li>• Gross Weight per Carton: 13 KG</li> <li>• Quantity of Each Carton: 12 pcs</li> </ul> | <div style="border: 1px solid black; padding: 5px; width: fit-content; margin: 0 auto;"><b>Z-W13P</b></div> <ul style="list-style-type: none"> <li>• White box Size: 172*172*185 mm</li> <li>• Master Carton Size: 535*365*390 mm</li> <li>• Net Weight of Each Lamp: 0.93 KG</li> <li>• Gross Weight per Carton: 14 KG</li> <li>• Quantity of Each Carton: 12 pcs</li> </ul> |