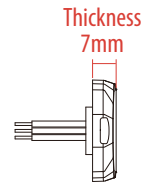


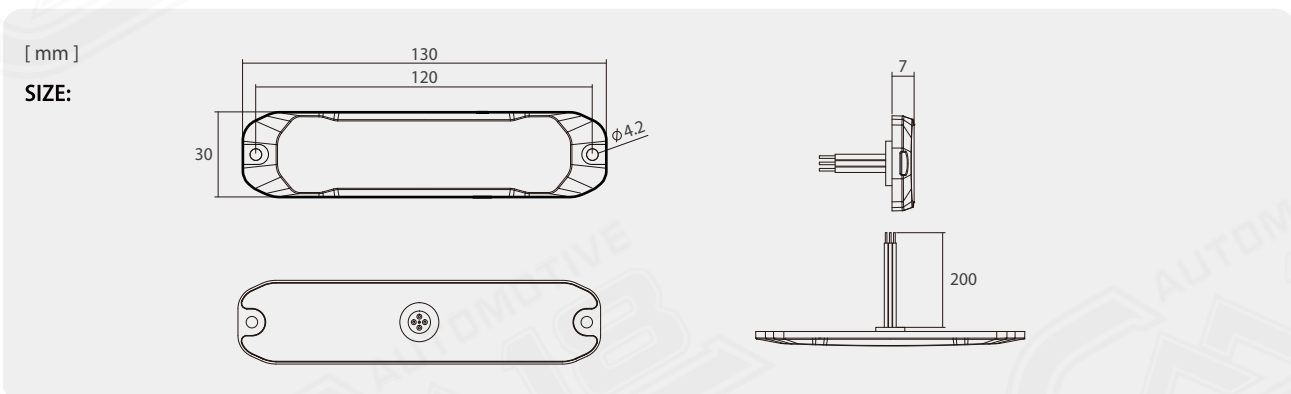
Z-W04 DUAL-COLOR EXTREMELY SLIM STROBE WARNING LIGHT

- ◆ Ultra low profile strobe warning light , only 7mm thickness to suitable all vehicles.
- ◆ Clear lens but with amber , blue ,red or white light flash.
- ◆ Surface mount with 2 screws.

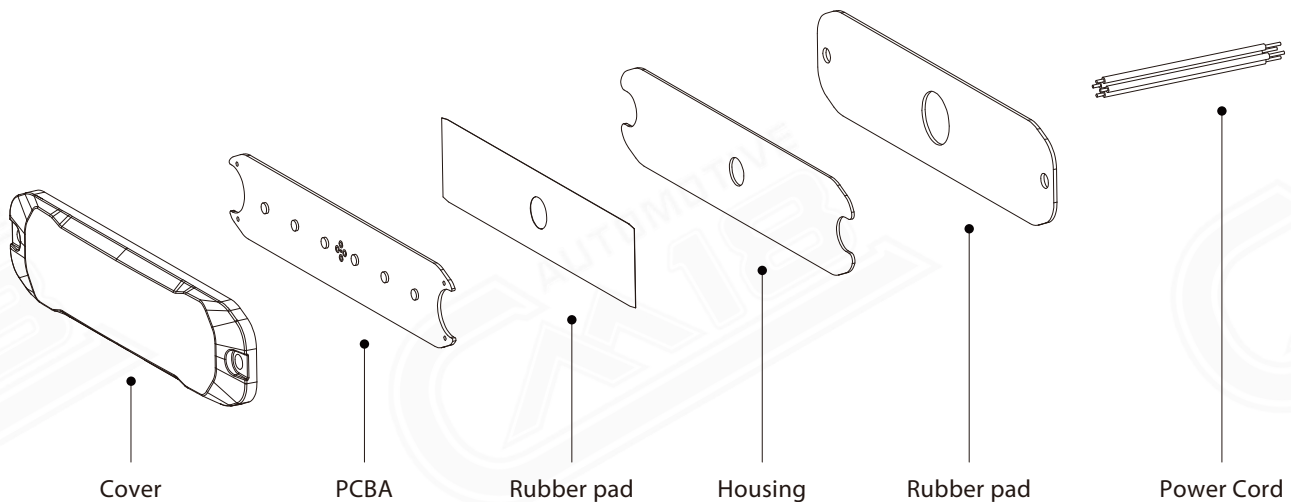


PRODUCT INFORMATION

Beam Pattern	Power Consumption	Voltage	Current / Voltage	SMD	LED Q'TY	IP Grade	Compliance	Color temperature
amber&blue	3.5W+3.5W	DC12-24V	0.145A @ 24V	3030	12Pcs	IP67	EMC:R10	amber: 1700K-1900K blue: 460-465nm
amber&white	3.5W+3.5W	DC12-24V	0.145A @ 24V	3030	12Pcs	IP67	EMC:R10	amber: 1700K-1900K white: 6000-6500K
red&blue	3.5W+3.5W	DC12-24V	0.145A @ 24V	3030	12Pcs	IP67	EMC:R10	red: 620-625nm blue: 460-465nm
red&white	3.5W+3.5W	DC12-24V	0.145A @ 24V	3030	12Pcs	IP67	EMC:R10	red: 620-625nm white: 6000-6500K



THE EXPLOSION FIGURE



MODES

Z-W04 dual color(red&bule) -- 14 modes

4 modes flash

- 1 Single flash in Red
- 2 Double flash in Red
- 3 Triple flash in Red
- 4 Four flash in Red

6 modes steady on

- 1 All Red Steady on
- 2 All Blue Steady on
- 3 Left 3 red lights Single steady on

4 modes flashing alternately

- 1 Left 3 Red & Right 3 Blue Single flash Alt.
- 2 Left 3 Red & Right 3 Blue Double flash Alt.
- 3 Left 3 Red & Right 3 Blue Triple flash Alt.
- 4 Left 3 Red & Right 3 Blue Four flash Alt.

- 4 Right 3 Red Steady on
- 5 Left 3 Blue Steady on
- 6 Right 3 Blue Steady on

*Only connect to the red power supply line

Z-W04 dual color(red&bule) -- 14 modes

4 modes flash

- 1 Single flash in Blue
- 2 Double flash in Blue
- 3 Triple flash in Blue
- 4 Four flash in Blue

6 modes steady on

- 1 All Red Steady on
- 2 All Blue Steady on
- 3 Left 3 red lights Single steady on

4 modes flashing alternately

- 1 Left 3 Blue & Right 3 Red Single flash Alt.
- 2 Left 3 Blue & Right 3 Red Single flash Alt.
- 3 Left 3 Blue & Right 3 Red Single flash Alt.
- 4 Left 3 Blue & Right 3 Red Single flash Alt.

- 4 Right 3 Red Steady on
- 5 Left 3 Blue Steady on
- 6 Right 3 Blue Steady on

*Only connect to the blue power supply line

Z-W04 dual color(red&bule) -- 14 modes

4 modes flash

- 1 Single flash Alt. Red & Blue
- 2 Double flash Alt. Red & Blue
- 3 Triple flash Alt. Red & Blue
- 4 Four flash Alt. Red & Blue

6 modes steady on

- 1 All Red Steady on
- 2 All Blue Steady on
- 3 Left 3 red lights Single steady on

4 modes flashing alternately

- 1 Single flash Alt. Left & Right half (Left 3 Red - Right 3 Blue - Left 3 Blue - Right 3 Red)
- 2 Double flash Alt. Left & Right half (Left 3 Red - Right 3 Blue - Left 3 Blue - Right 3 Red)
- 3 Four flash Alt. Left & Right half (Left 3 Red - Right 3 Blue - Left 3 Blue - Right 3 Red)
- 4 Single flash Alt. Left & Right half (Left 3 Red - Right 3 Blue - Left 3 Blue - Right 3 Red)

- 4 Right 3 Red Steady on
- 5 Left 3 Blue Steady on
- 6 Right 3 Blue Steady on

*Connect to the red&blue power supply line

*The three other models are the same as this one, but the color is different

APPLICATIONS

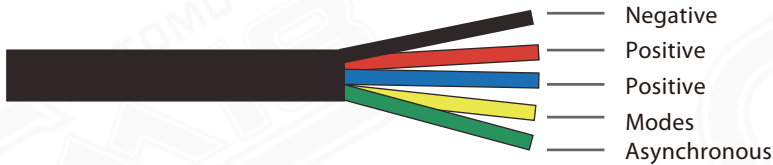


Applications



CONNECTION MODE

Z-W04



Drawing No. : Z-W04

Rubber core wires in Black/Red/Bule/Yellow/Green

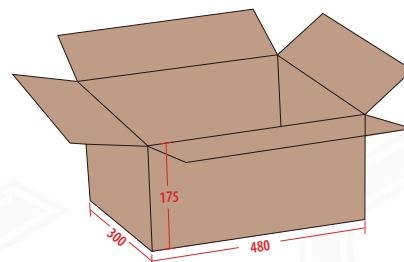
PRODUCT PACKAGING

Z-W04

- Unit box size: 140*45*30 mm
- Master Carton Size: 480*300*175 mm
- Quantity of Each Carton: 100 pcs
- Net Weight of Each Lamp: 40 g
- Gross Weight per Carton: 9 KG



Unit box



Outer box