

Z-W57 LED WARNING MINI BEACON

- ◆ With mode switch button on the lamp.
- ◆ Compact design and super bright.
- ◆ 6 selectable flash patterns and 1 mode cruise.
- ◆ ECE R65 R10 approved.

NEW



Pipe mount

Z-W57P

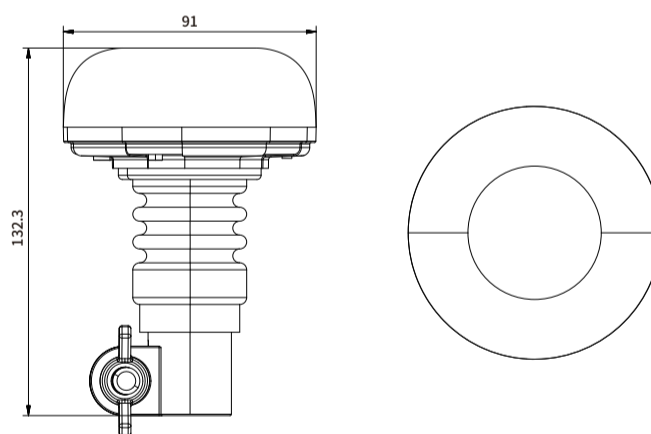


PRODUCT INFORMATION

Product Code	Power Consumption	Current / Voltage	SMD	LED Q'TY	Color Temperature	Compliance	LED color
Z-W57P	16W	DC 12V/24V	3030	18	590nm~595nm	ECE R65, EMC R10, ROHS	●

SIZE:

[mm]



LIGHTING



6 modes flash

- Single flash
- Double flash
- Triple flash
- Quint flash
- Single flash and triple flash alternately
- Double flash and Quad flash alternately

1 Cruise

MODES SWITCH



Modes switch button

Option 1

Short press modes switch button to switch to next model.

Option 2

Connect red wire to positive pole, black wire to negative pole to power on, re-connect red wire to positive pole within 2 seconds after disconnecting red wire from positive pole.

CONNECTION MODE

Z-W57P

 V- Negative wire
 V+ Positive wire

Pipe fixing bracket for special requirements:

Option 1: type E

Option 2: type G

Option 3: type H



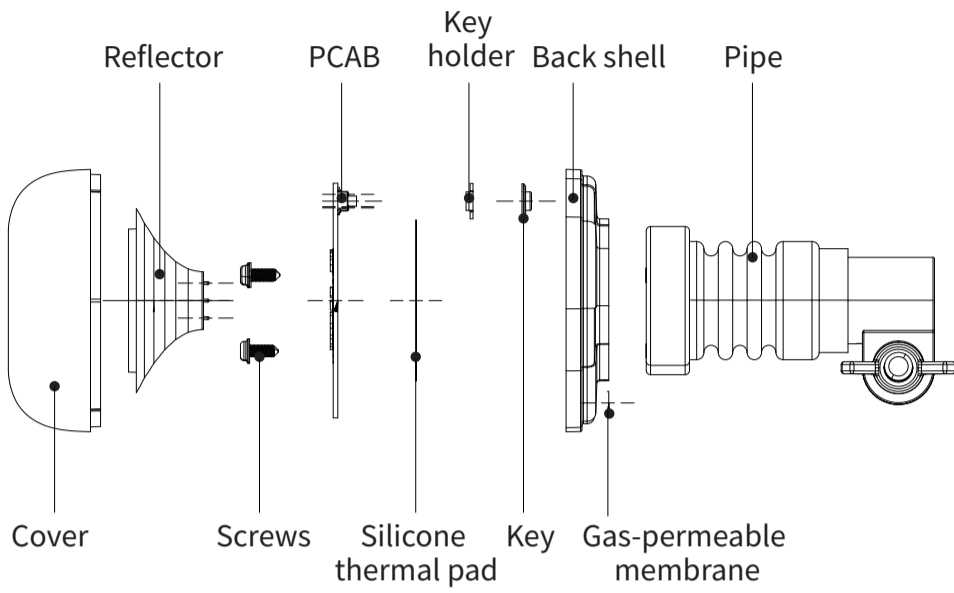
APPLICATIONS



Applications



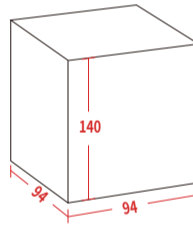
EXPLOSION FIGURES



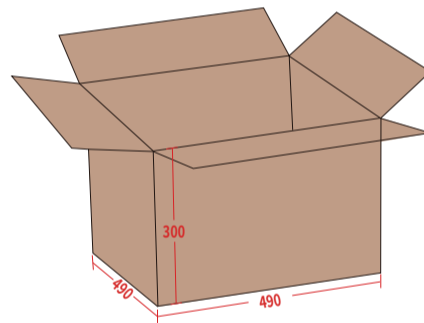
PRODUCT PACKAGING

Z-W57P

- White box Size: 94*94*140mm
- Master Carton Size: 490*490*300mm
- Net Weight of Each Lamp: 0.267 KG
- Gross Weight per Carton: 13.35 KG
- Quantity of Each Carton: 50 pcs



White box



Outer box