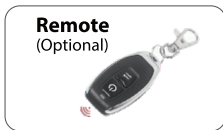


Z-W49

RECHARGEABLE AND REMOTE WARNING BAR

- ◆ Economical with 3 years guaranteed quality
- ◆ ECE R65 -- 360 degrees light output
- ◆ Built in LED background light to black dome for illumination
- ◆ Robust and durable structure with PC top cover
- ◆ Rechargeable and equip with 3.5m cable with switched cigarette plug provides simple control over functions
- ◆ IP65 and fully encapsulated for moisture, vibration and corrosion resistance
- ◆ Perfectly used for tow trucks, utility truck, police car etc.

Magnet + Base Mount



| | | | | | | | | | | |
|-------------------------|---------------------------|------------------------------|------------------------------|----------------------|----------------------|---------------------|---------------------|-------------------------|--------------------|---|
| Magnetic Magnet base | About 5H Charging time | About 6H Discharging time | Shocks resistant Approval | SAE J845 Approval | CISPR 25 Approval | ECE R65 Approval | ECE R10 Approval | 12V/24V Power Supply | IP65 Waterproof | +65°C -40°C Operating temperature |
|-------------------------|---------------------------|------------------------------|------------------------------|----------------------|----------------------|---------------------|---------------------|-------------------------|--------------------|---|

PRODUCT INFORMATION

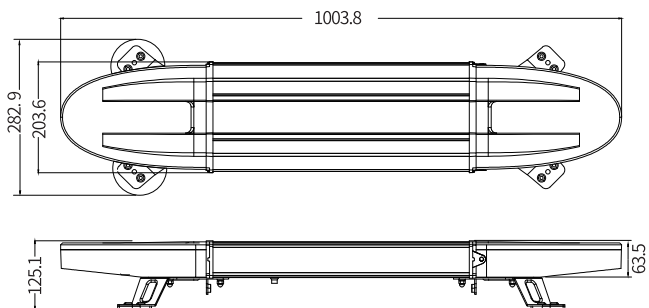
| Item No. | Input Voltage | Power Consumption | LED | LED Q'TY | Wavelength | Compliance | LED color |
|----------|---------------|-------------------|-----------|----------|-------------|------------|-----------|
| Z-W49R | DC 12V/24V | 38W/37W | 3030/2835 | 36/40PCS | 590nm-595nm | TA1 | ● |

CHARGING PARAMETERS

Overcharge, over discharge, over temperature protection

| Charging interface | Electric core | Capacity | Charging voltage | Charging current | Charging time | Discharging time |
|--------------------|---|---------------------|------------------|------------------------|---------------|------------------|
| DC 5.5/2.1 | Double section 18650 lithium ion*3group | 7.4V 2600mAh*3group | 12V/24V | 2000mA(12V)/920mA(22V) | About 5H | About 5.5H |

| State | Electric quantity | Indicator light |
|-----------------|-------------------|------------------|
| Charging status | 0-30% | ● Red light |
| | 30-99% | ● Yellow light |
| | 100% | ● Green light |
| Discharge | 70-100% | ● Green light |
| | 30-70% | ● Yellow light |
| | 10-30% | ● Red light |
| | 10% below | ● Red ash lights |



Notes: When using the beacon on the road, please be sure to connect the vehicle power supply, each products is equipped with EU standard cigarette lighter. When running on battery, it applies only in cases of emergency.

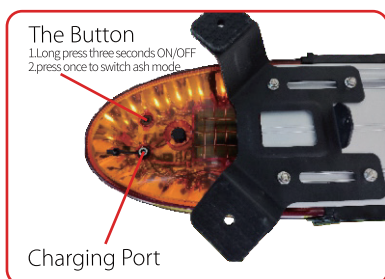
MODES



8 modes flash

- Single flash
 - Double flash
 - Triple flash
 - Four flash
- Single flash alternatingly
 - Double flash alternatingly
 - Triple flash alternatingly
 - Four flash alternatingly

PAIRING INTRODUCTION



How to resynchronize the lamp and controller?

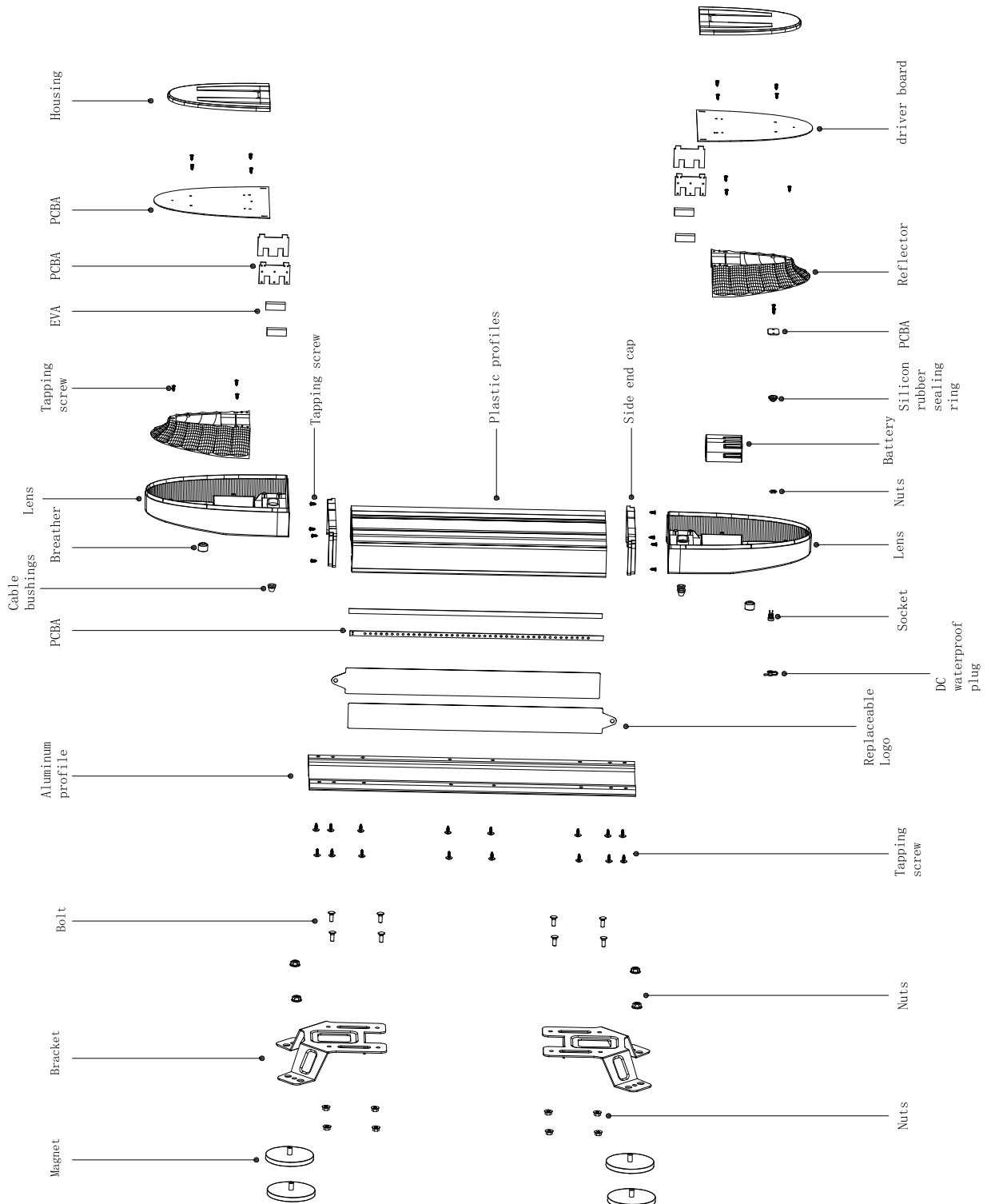
1. Press the switch on light, within 1 second, press again and hold, until the green indicator light flashes, then press the on/o of controller, starting pairing.
2. When the red indicator flashes, press the switch of controller, nishing pairing.
3. Now you can switch ash pattern by pressing switch of controller.
4. Eective controlled distance is 30m.

Notice: During the matching, if the controller is not pressed, light will be back to working status in 6 seconds.

APPLICATIONS



THE EXPLOSION FIGURE



PRODUCT PACKAGING

- Inner box Size:
- Master Carton Size: 1250*258*105mm
- Net Weight of Each Lamp: 5.5 KG
- Gross Weight per Carton: 6.5KG
- Quantity of Each Carton: 1 pcs

