

Z-W16

BATTERY AND REMOTE CONTROL MINI BEACON

- ◆ Battery and remote control makes it more convenient and easier to operate
- ◆ Unique LED reflectors provide a focused signal for superior brightness.
- ◆ Lens construction provides an excellent horizontal spread for easy identification of signal.
- ◆ Including 3 flash patterns plus 4 rotation patterns provide plenty of signal options.
- ◆ Small size makes it ideal installation for different application.



Z-W16B



Z-W16R



PRODUCT INFORMATION

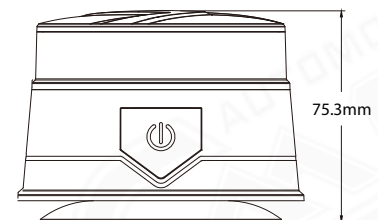
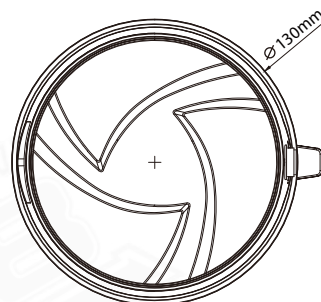
Product Code	Power Consumption	Current / Voltage	SMD	LED Q'TY	Color temperature	Compliance	LED color
Z-W16B	8.4W	0.35A @ 24V	3030	30	590-595nm	SAE J845 ECE R65 R10	●
Z-W16R	8.4W	0.35A @ 24V	3030	30	590-595nm	SAE J845 ECE R65 R10	●

CHARGING PARAMETERS

Overcharge, over discharge, over temperature protection

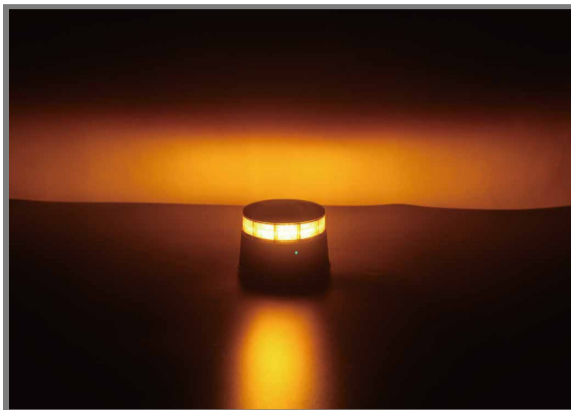
Charging interface	Electric core	Capacity	Charging voltage	Charging current	Charging time	Discharging time
DC5.5/2.1	Double section 18650 lithium ion	7.4V 2600mAh	12V/24V	700mA(12V)/350mA(24V)	About 4H	About 6.5H

State	Electric quantity	Indicator light
Charging status	0-30%	● Red light
	30-99%	● Yellow light
	100%	● Green light
Discharge	70-100%	● Green light
	30-70%	● Yellow light
	10-30%	● Red light
	10% below	● Red flash lights



Notes: When using the beacon on the road, please be sure to connect the vehicle power supply, each products is equipped with EU standard cigarette lighter. When running on battery, it applies only in cases of emergency.

7 MODES



3 modes flash

- Single flash
- Double flash
- Triple flash

4 modes rotation

- Slow anticlockwise rotation (480ms)
- Slow clockwise rotation (480ms)
- Quick anticlockwise rotation (300ms)
- Quick clockwise rotation (300ms)

PAIRING INTRODUCTION

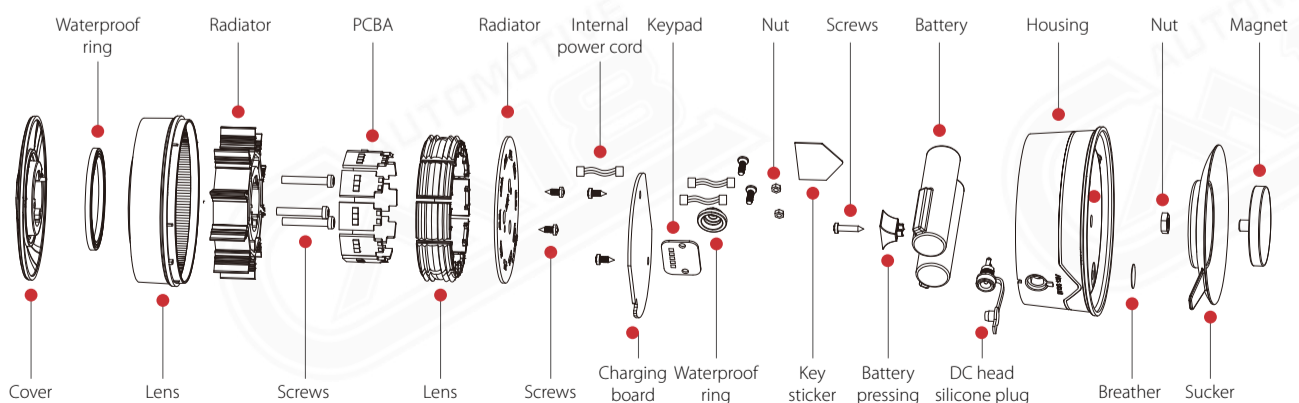


How to resynchronize the lamp and controller?

1. Press the switch on light, within 1 second, press again and hold, until the green indicator light flashes, then press the on/off of controller, starting pairing.
2. When the red indicator flashes, press the switch of controller, finishing pairing.
3. Now you can switch flash pattern by pressing switch of controller.

Notice: During the pairing, if the controller is not pressed, light will be back to working status in 6 seconds.

THE EXPLOSION FIGURE



INSTALLATION

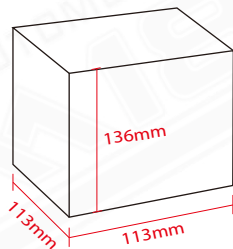


Applications



PRODUCT PACKAGING

White box



- White box Size: 113*113*136 mm
- Master Carton Size: 585*240*290 mm
- Net Weight of Each Lamp: 0.48 KG
- Gross Weight per Carton: 11 KG
- Quantity of Each Carton: 20 pcs

Outer box

