

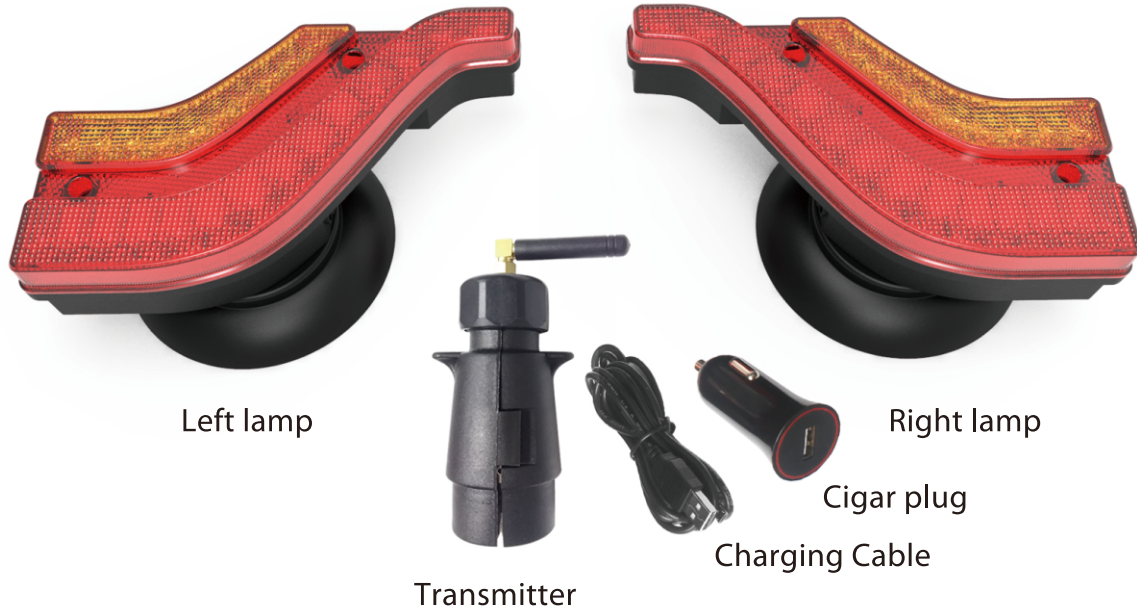
Z-T30B FLYEAGLE WIRELESS TRAILER LIGHT KIT

- ◆ with enhanced magnetic base, rechargeable and portable, can be widely applied in tractors, tugboats, EV, Trailers, ect
- ◆ 100% CABLE-FREE SOLUTION, With portable plastic tool box package, practical and durable
- ◆ Innovative FLYEAGLE shape design, super high quality, comply with Emark standard and enjoy 1 year quality guarantee

Quick Charging 1.5H for 80%

1.5H
Charge from 0 to 80%
in 1.5 hour

6.5H
Discharge time



Left lamp

Right lamp

Transmitter

Cigar plug

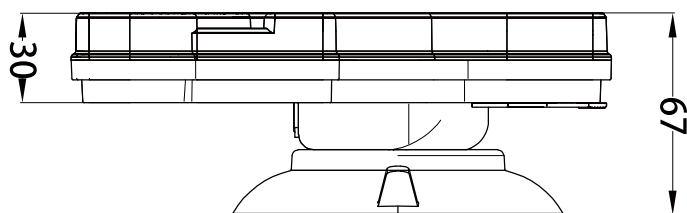
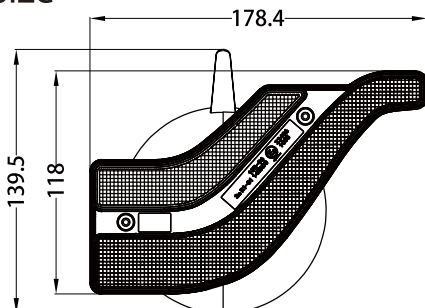
Charging Cable

Shocks resistant Approval	ECE R148 Approval	ECE R10 Approval	RoHS Approval	CE Approval	IP67	12V/24V Power Supply	+65°C -40°C Operating temperature	About 2H Charging time	About 6.5H Discharging time
------------------------------	----------------------	---------------------	------------------	----------------	------	-------------------------	---	---------------------------	--------------------------------

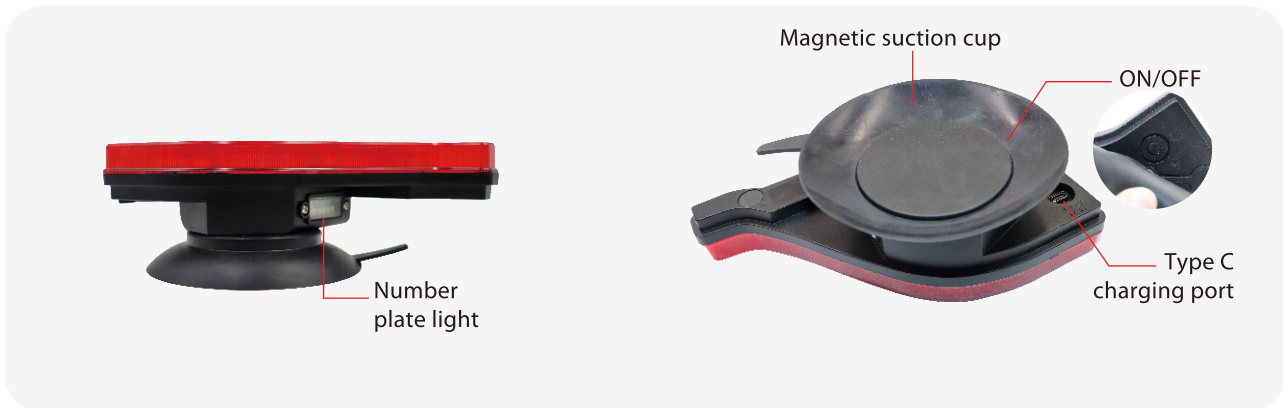
PRODUCT INFORMATION

Lamp function	Power Consumption	SMD	LED Q'TY	Color temperature	Compliance	LED color
Tail Lamp	0.5W	2835	14pcs	620-625nm	R148	●
Direction Indicator Lamp	2.1W	2835	10pcs	590nm	R148	●
Stop / Brake	2.5W	2835	14pcs	620-625nm	R148	●
Number Plate Light	1W	2835	6pcs	5600K	R148	○

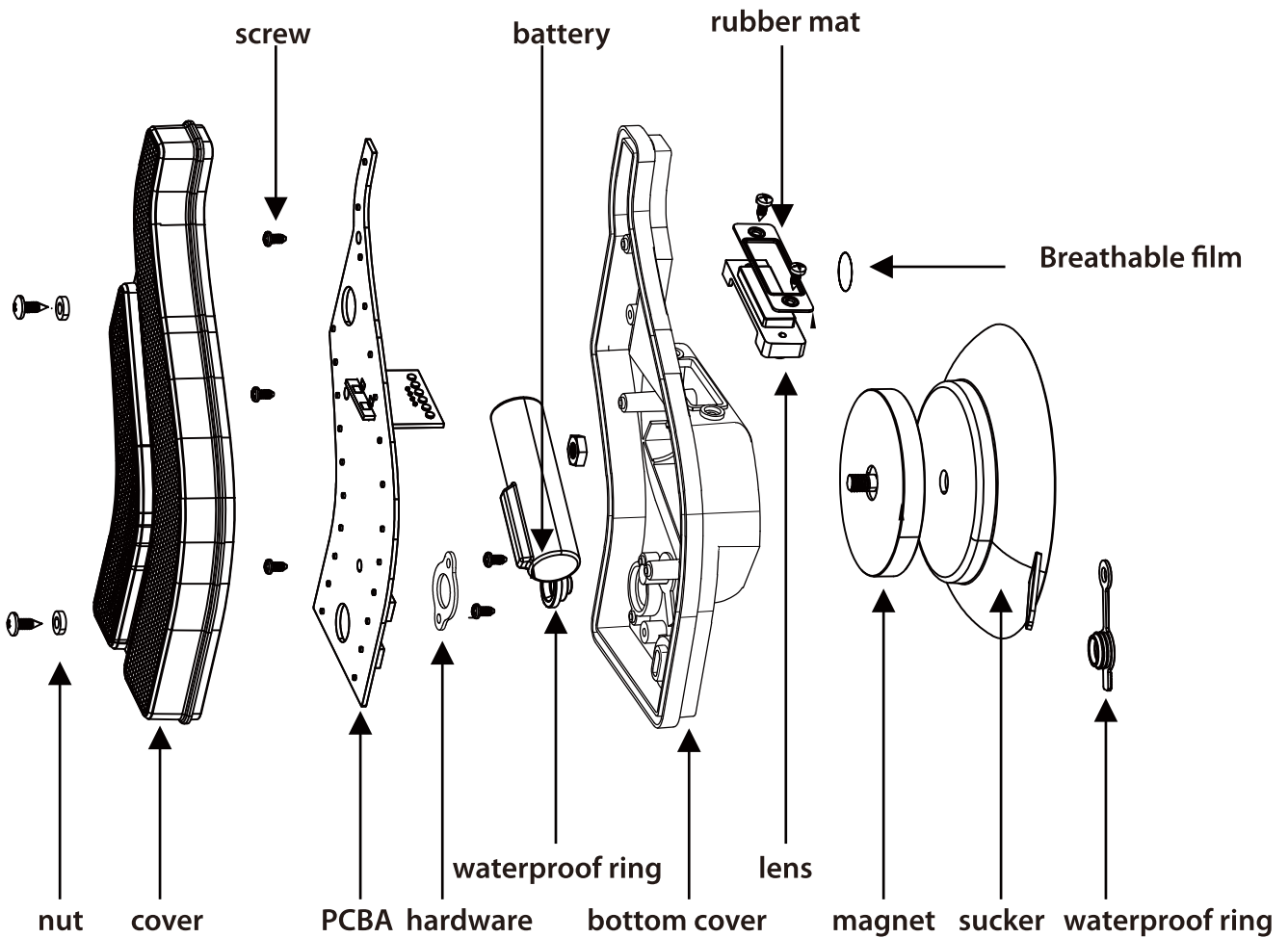
size



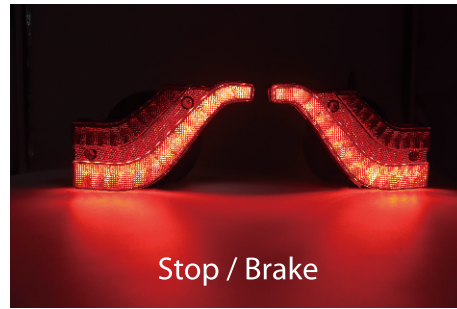
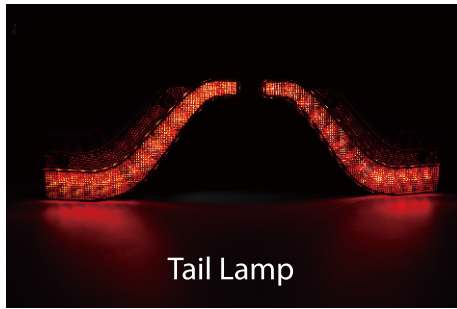
INSTRUCTIONS



EXPLOSION



LIGHTING



APPLICATIONS



Applications



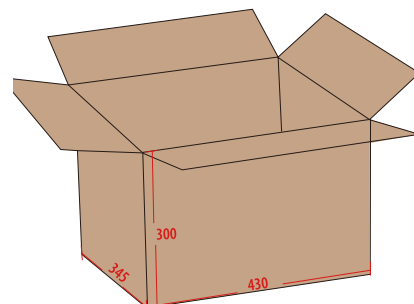
PRODUCT PACKAGING

Z-T30B

- Tool Box size: 330*82*280 mm
- Master Carton Size: 430*345*300 mm
- Quantity of Each Carton: 5 set
- Net Weight of Each Lamp: 335g
- Gross Weight per Carton: 5.1KG



Tool Box



Outer box