

Z-T033S (EU Version)

Magnetic Wireless Trailer Light Kit

100% CABLE-FREE Solution

CM18 Z-T033S magnetic wireless trailer light kit, just plug the transmitter, turn on the lights and go. It's so easy that you will no need to tap into existing wires or use any tools for installation.



Function: Front Position Lamp / Dynamic indicator / Number plate light
FRONT LIGHT



Left lamp Right lamp
Function: Rear Position Lamp / Dynamic indicator / Brake / Number plate light
REAR LIGHT

Product Summary

- ◆ This product is used in trucks with the functions of rear position lamp, dynamic direction indicator lamp, stop/brake lights, and number plate light.
- ◆ It uses magnets to absorb the back of the vehicle.
- ◆ 7pins plug transmitter inserts into the connector socket of the truck tail light, turn on the light and go.



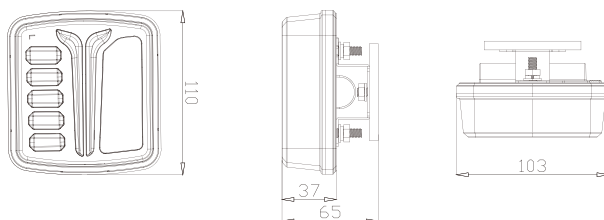
PRODUCT INFORMATION -- FRONT LIGHT

Lamp function	Voltage	Power Consumption	SMD	LED Q'TY	Color temperature	Compliance	IP Rating	LED color
Front Position Lamp	12V-24V	1.05W	2835	14pcs	6000k	R7	IP67	●
Direction Indicator Lamp	12V-24V	1.84W	2835	15pcs	590nm	R6	IP67	●
Number plate light	12V-24V	1.55W	2835	4pcs		R3	IP67	○
Transmit method/Distance					2.4G 30m			

PRODUCT INFORMATION -- REAR LIGHT

Lamp function	Voltage	Power Consumption	SMD	LED Q'TY	Color temperature	Compliance	IP Rating	LED color
Rear Position Lamp	12V-24V	1.55W	2835	14pcs	625nm	R7	IP67	●
Direction Indicator Lamp	12V-24V	1.21W	2835	5pcs	590nm	R6	IP67	●
Stop / Brake	12V-24V	0.67W	2835	10pcs	625nm	R7	IP67	●
Number plate light	12V-24V	1.55W	2835	4pcs	6500k	R23	IP67	○
Transmit method/Distance					2.4G 30m			

[mm]

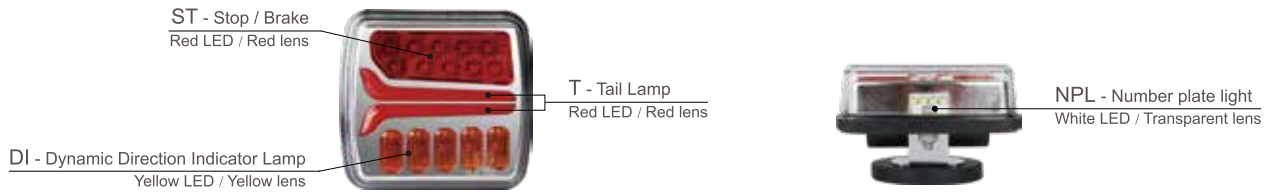


FUNCTIONS

FRONT LIGHT



REAR LIGHT



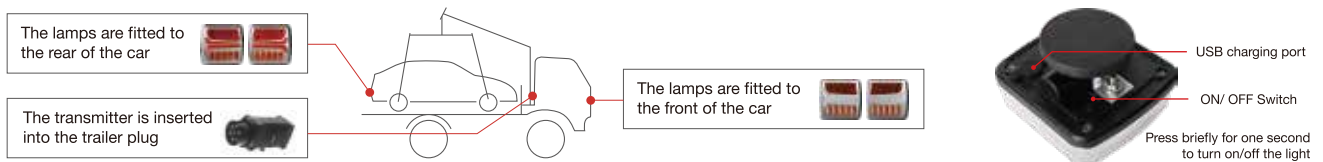
PERMANENT MOUNT



MAGNETIC MOUNT



APPLICATIONS



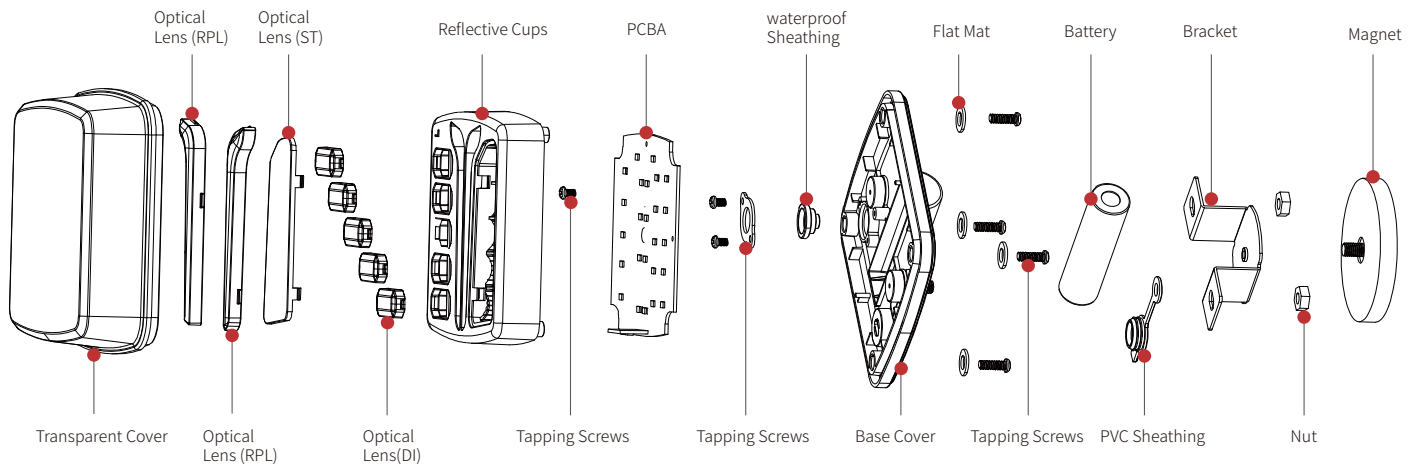
CHARGING PARAMETERS

Overcharge, over discharge, over temperature protection

Charging interface	Electric core	Capacity	Charging voltage	Charging current	Charge pendant	Discharging time
MICRO USB	Single section 18650 lithium ion	3.7-4.2V 2600mAh	5V	2100mA	About 2H	About 8H

* Battery Certification : MSDS MSDS + UN38.3 + 2006/66/EC

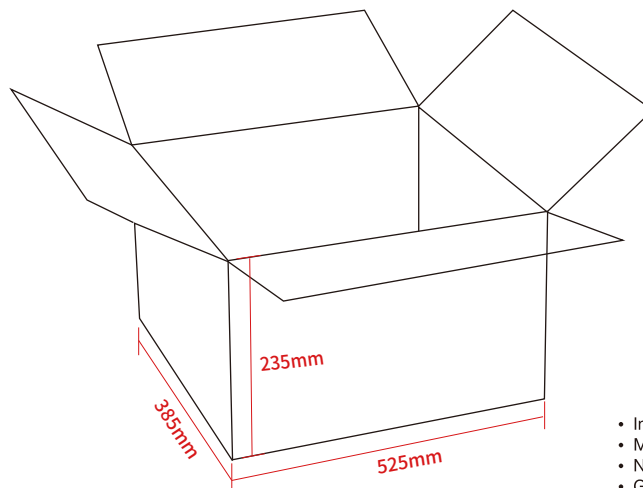
THE EXPLOSION FIGURE



PRODUCT PACKAGING



Inner box



Outer box

- Inner box Size: 250*72*210mm
- Master Carton Size: 525*385*235mm
- Net Weight of Each Lamp: 0.39KG
- Gross Weight per Carton: 13.5KG
- Quantity of Each Carton: 10PCS

Contents

Packing box x 1, Left Lamp x 1, Right Lamp x 1, USB adaptor x 1, Charging cord x 1, Transmitters x 1